

HOW TO INSTALL MC431313(BK), MC431313(BR) & MC431313(CR)

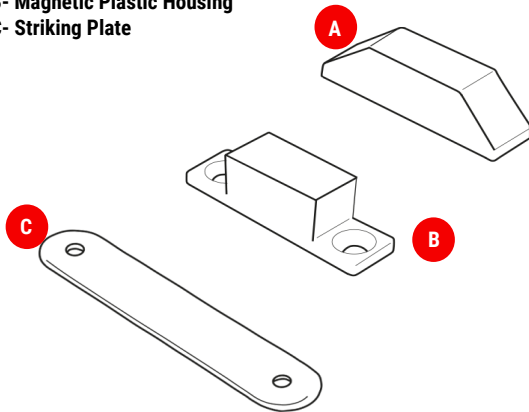
These premium plated magnetic catches provide a sleek and stylish design for cupboard and wardrobe door closures. Catches included plastic magnetic housing, chrome, brass or black plating and matching coloured striking plate.

Screws for housing and plate sold separately.

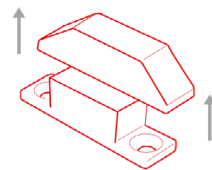


Parts Included;

- A- Plated Cover
- B- Magnetic Plastic Housing
- C- Striking Plate

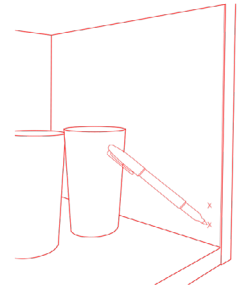


1 Step One



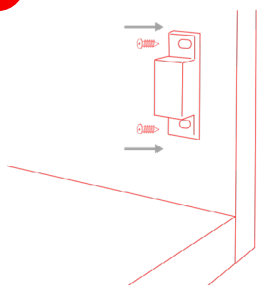
Remove the magnetic plastic housing from the plated cover.

2 Step Two



Select your desired position on the cupboard frame where you would like the catch to be installed. This can be placed in the corner of the cupboard, either on the side or bottom of the frame. We advise leaving a 1mm gap from the front of the frame to ensure there is no 'clunk' sound when attracting to the striking plate when closing the door.

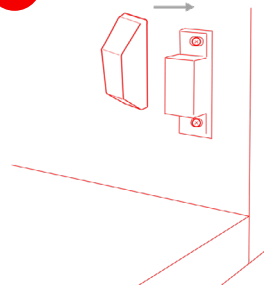
3 Step Three



Once you have marked your desired position on the cupboard frame, place magnetic housing in position and screw into place.

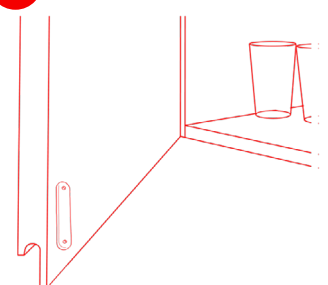
screws sold separately

4 Step Four



Once the magnetic housing is installed, simply add the plated cover on top. This will conveniently hide the magnetic housing, whilst ensuring the striking plate will still attract securely.

5 Step Five



Once the plate has been applied on top, simply line up the matching striking plate and screw into position.

screws sold separately

If you require any further assistance or advice on our range of magnetic catches, please call our experts on **0800 488 0288** or email sales@first4magnets.com